

### EYE WASH: SE-582 FEATURES

- Stainless steel bowl
- (2) aerated yellow plastic spray outlets with flip-top dust caps
- ½ in. NPT female brass, chrome plated, full flow stay-open ball valve
- Stainless steel push handle activator
- ½ in. NPT female inlet
- 3.2 gpm @ 30 psi
- Universal Emergency Sign Included

### SHOWER FEATURES:

- 8 in. Cylolac® yellow plastic showerhead
- Internal 20 gpm restrictor flow control
- 1 in. NPT female brass, chrome plated, full flow stay-open ball valve
- Powder coated yellow aluminum triangular pull rod activator
- 1 ¼ in. galvanized steel piping stanchion with brass fittings
- 1 ¼ in. NPT female inlet & waste
- DuraJade™ powder-coated finish on stanchion for durability and enhanced corrosion resistance.
- 20 gpm @ 30 psi

### COMPLIANCE:

- Certified to ANSI Z358.1

### FINISHES:

- DuraJade™ powder-coated galvanized steel (standard)

### OPTIONS:

ADD SUFFIX TO MODEL #

- |   |                                 |
|---|---------------------------------|
| • Stainless steel cover                       | <input type="checkbox"/> -CV    |
| • Anti-freeze protection valve                | <input type="checkbox"/> -FPV   |
| • Hand & foot operation                       | <input type="checkbox"/> -HFO   |
| • Hand-held spray                             | <input type="checkbox"/> -HS    |
| • Self-closing shower valve with chain & ring | <input type="checkbox"/> -SCSV  |
| • Stainless steel pull rod                    | <input type="checkbox"/> -SPR   |
| • Anti-scald protection valve                 | <input type="checkbox"/> -SPV   |
| • 1 in. IPS stainless steel ball valve        | <input type="checkbox"/> -SSBV1 |
| • ½ in. IPS stainless steel ball valve        | <input type="checkbox"/> -SSBV2 |
| • Stainless steel showerhead                  | <input type="checkbox"/> -SSH   |

### WARRANTY:

- 3 year limited

SEE REVERSE FOR ROUGH-IN DIMENSIONS

THIS SPACE FOR ARCHITECT/ENGINEER APPROVAL.

# SPEAKMAN®

400 ANCHOR MILL ROAD | NEW CASTLE, DE 19720  
P: 800-537-2107 | F: 800-977-2747  
WWW.SPEAKMANCOMPANY.COM

REVISION DATE: JANUARY 2014

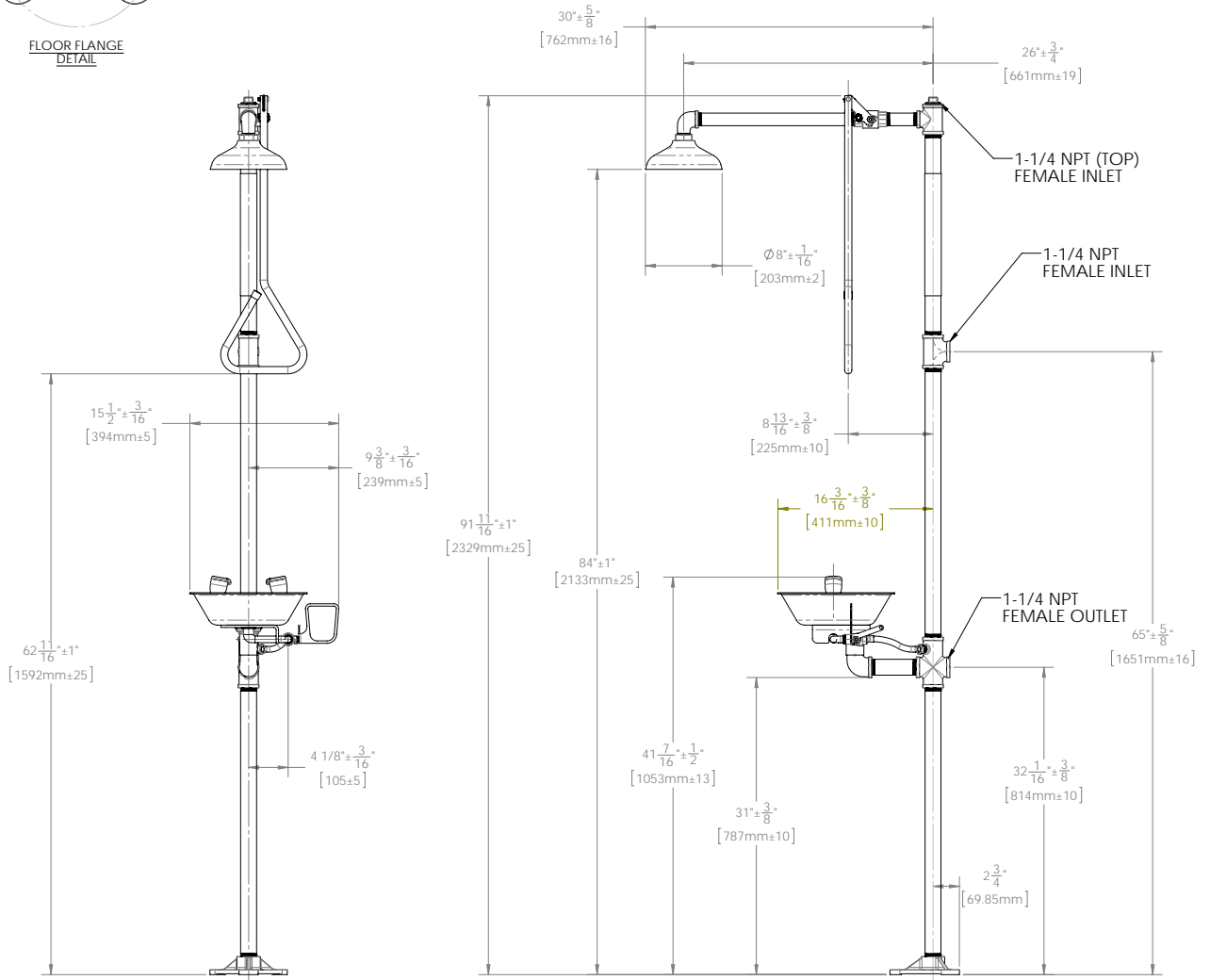
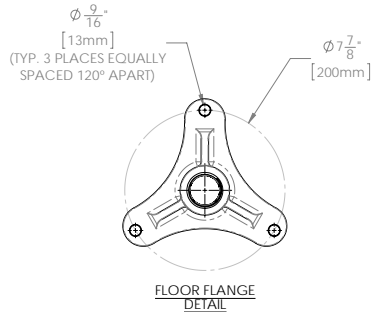


Management Systems  
Registered to ISO 9001

# SPEAKMAN®

## Combination Shower with Round Eyewash System SE-693

### SPECIFICATION



NOTE: 1. All dimensions are in inches (millimeters) unless otherwise specified and are subject to change without notice.

THIS SPACE FOR ARCHITECT/ENGINEER APPROVAL.

# SPEAKMAN®

400 ANCHOR MILL ROAD | NEW CASTLE, DE 19720  
 P: 800-537-2107 | F: 800-977-2747  
 WWW.SPEAKMANCOMPANY.COM

REVISION DATE: JANUARY 2014



Management Systems  
 Registered to ISO 9001