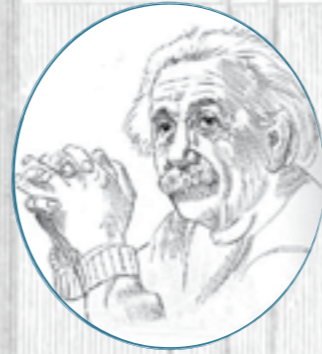


my mind is
my laboratory

- Albert Einstein



زافير إكويمنٹس ف.م.م.ح
ZAFIR EQUIPMENTS FZE
LAB INSTRUMENTS SUPPLIES

Complete Lab Furnishing

Index

- # Field of Services
- # Workbenches
- # Island Benches
- # Wall Benches
- # Peninsular Benches
- # Prima Series
- # Vigor Series
- # Flexi Series
- # Fume Containments
- # Fume Cupboards
- # Walk-in Fume Cupboards
- # Floor level Fume Containment
- # Canopy Hood
- # Suction arm
- # Worktops
- # Sinks & Dripcups
- # Blower & Filters
- # Service Fittings
- # Safety Fittings
- # Anti-vibration table
- # Storage Systems
- # Chemical Storage
- # Library furniture
- # Special Furniture
- # Beverages Rack
- # Science Lab Mobile Bench
- # Reagent Rack
- # Accessories
- # Seating & Trolleys
- # Gasoline
- # Educational Lab
- # Planning, Designing, Execution
- # Clean Room
- # Interior Paneling
- # Mobile Laboratory
- # Gallery
- # Technology Partners



We are specialized in designing and commissioning of laboratories for various disciplines such as

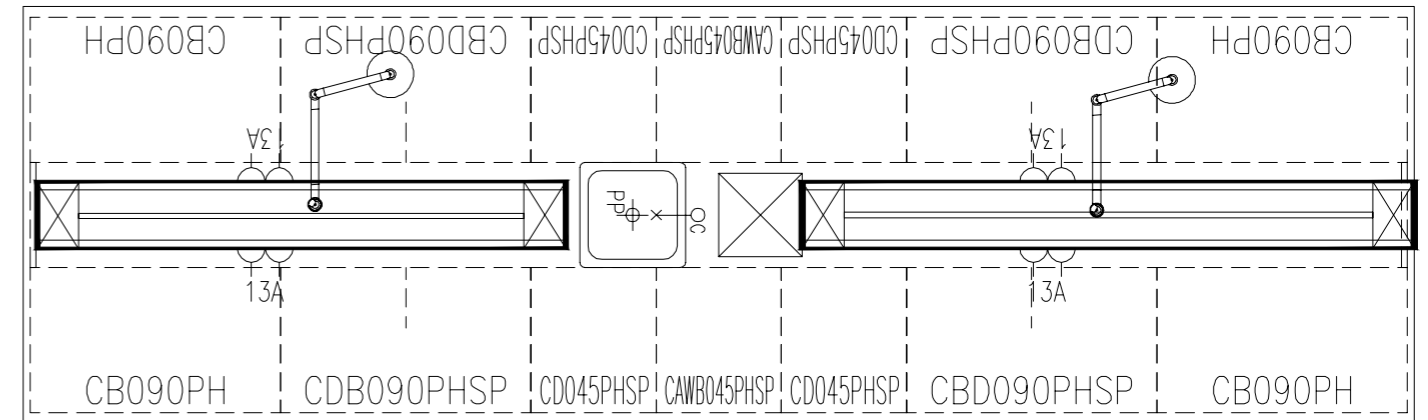
- Agricultural
- Archaeology
- Aviation and Space science
- Bio-technology, Pharma & Cosmetics
- Cement and concrete
- Container & mobile laboratories
- Educational institutions
- Fisheries
- Food & beverages
- Forensic science
- Hospital and health care
- Micro biology
- Paint and coatings
- Petroleum & oil
- Poly - Film industries
- Research labs
- Robotics
- Testing services
- Textiles and garments
- Treatment plants
- Veterinary





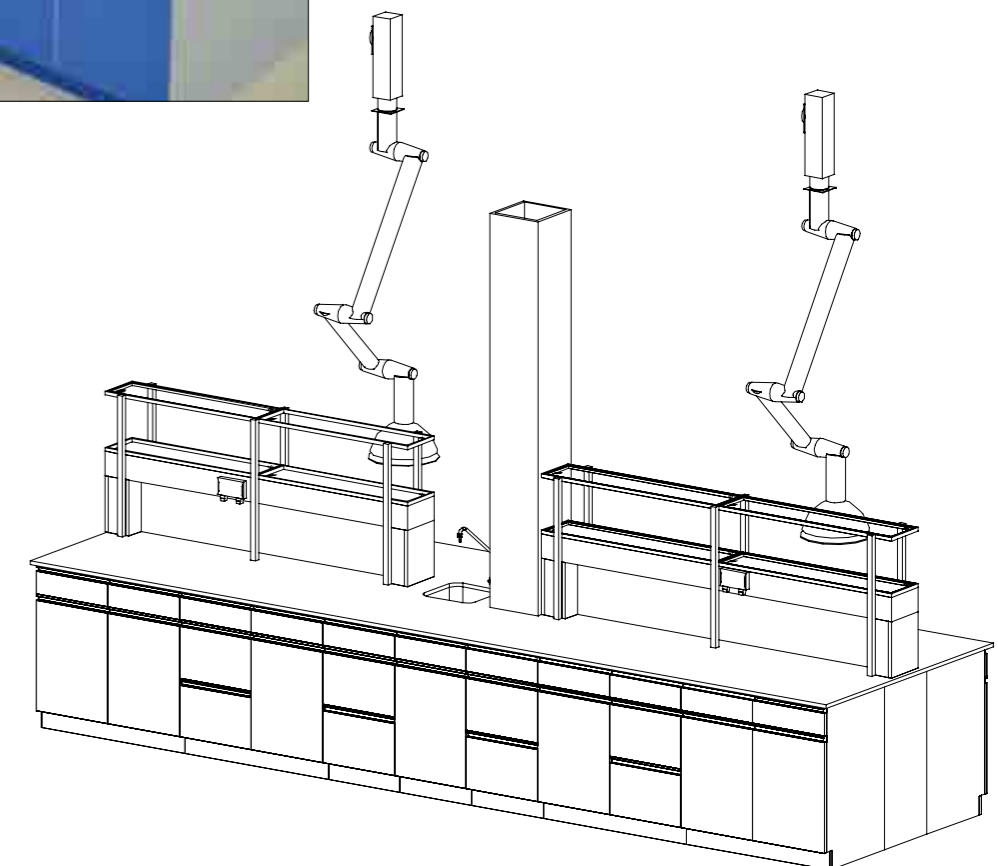
Workbenches

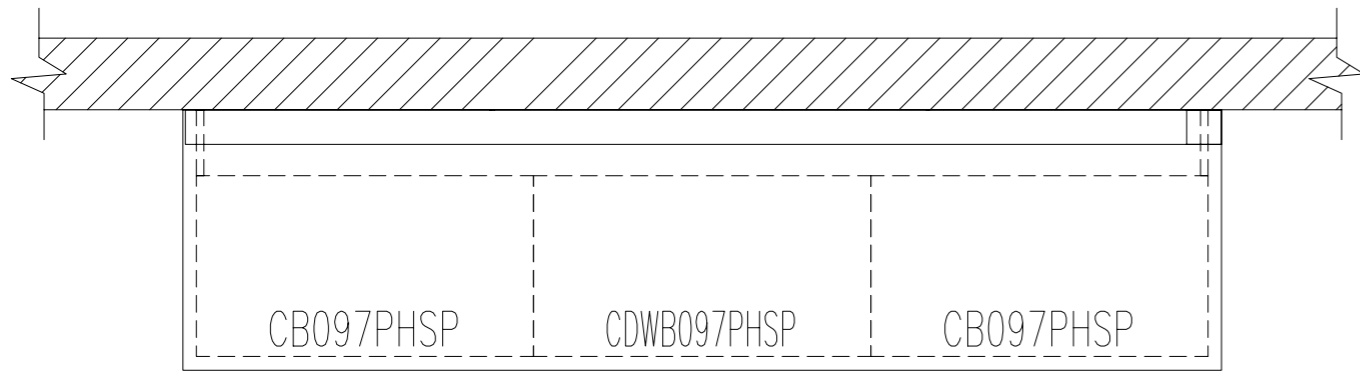
Workbenches can be constructed in different configurations. The furnishing systems are selected considering the nature of the laboratory, space and storage requirements, number of users, sitting and standing space, degree of flexibility and budget.



Island Bench

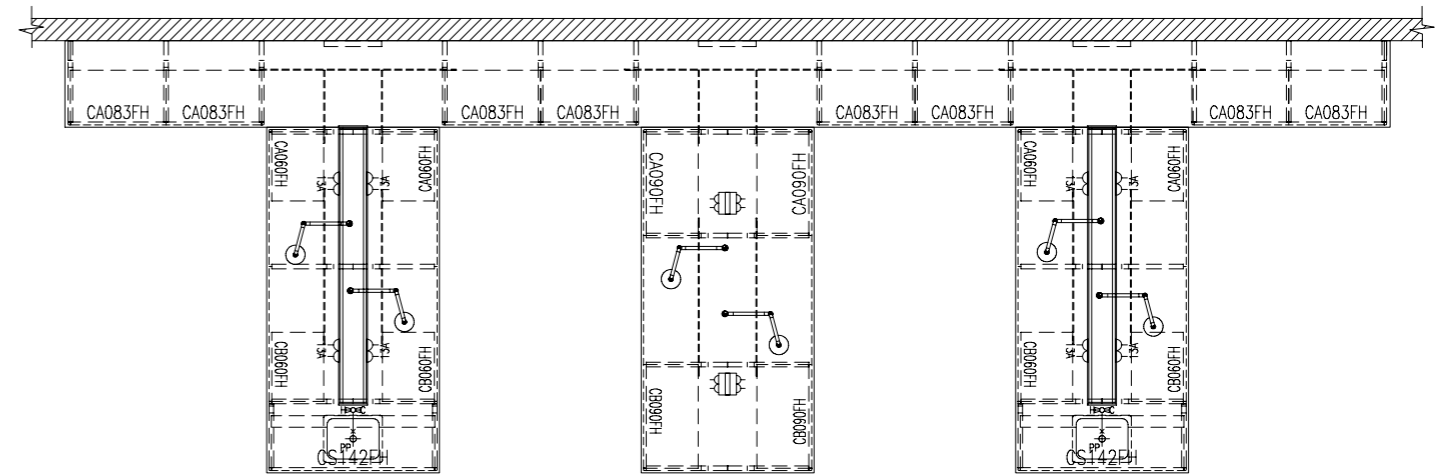
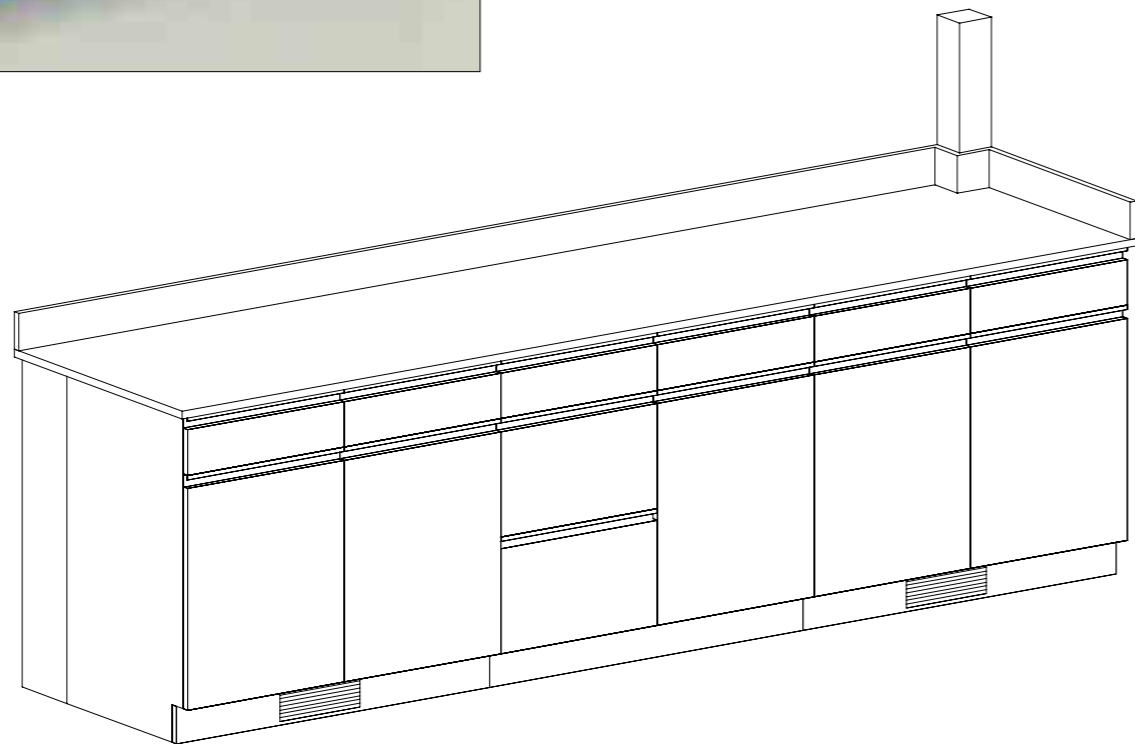
Free standing workbenches are placed away from wall to utilize the space effectively. It has accessibility from all four sides. Services needs to be brought from the floor or dropped from the ceiling.





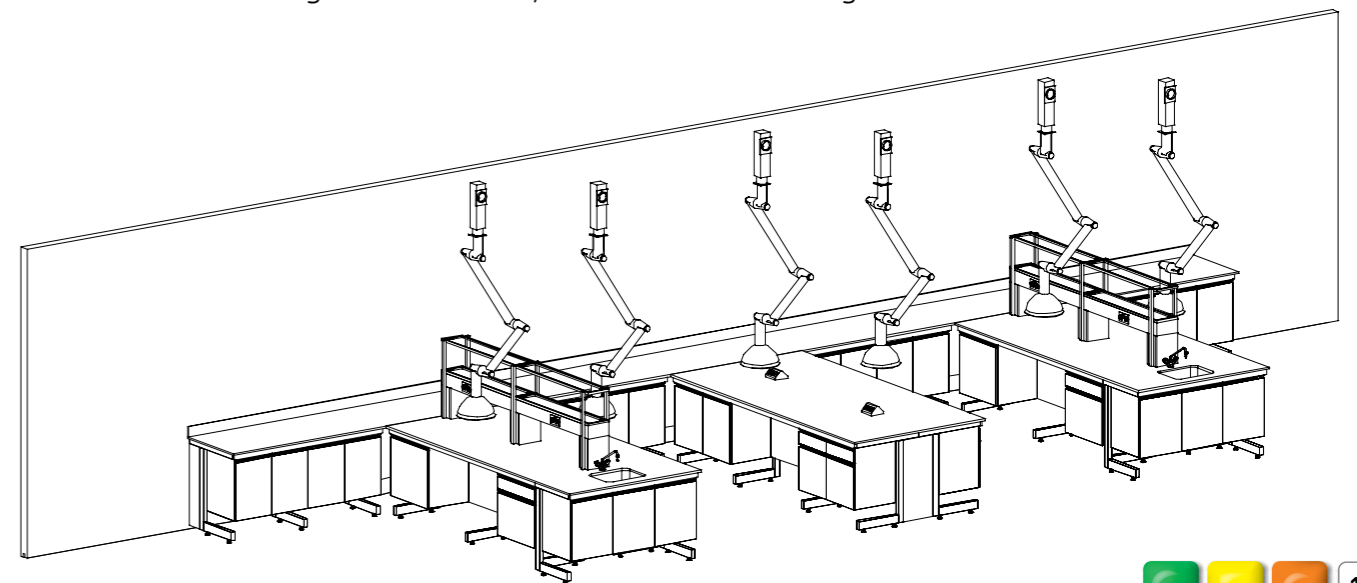
Wall Bench

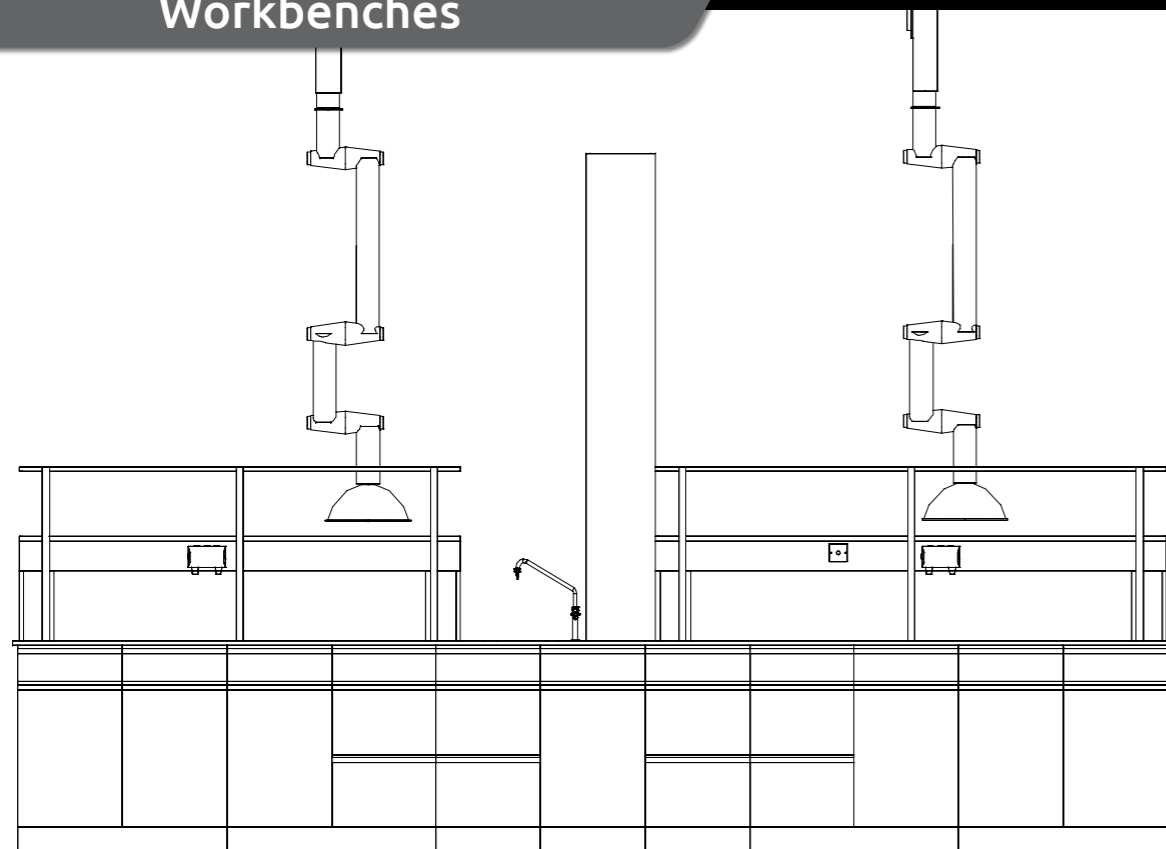
Always installed in contact with the wall. Services can be provided either on the wall or on the workbenches.



Peninsular Bench

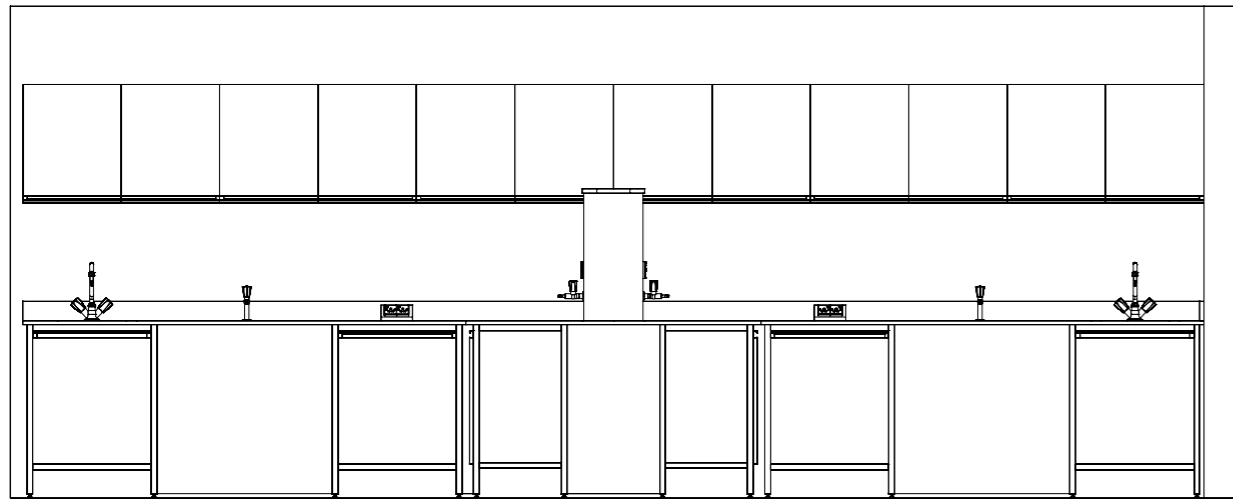
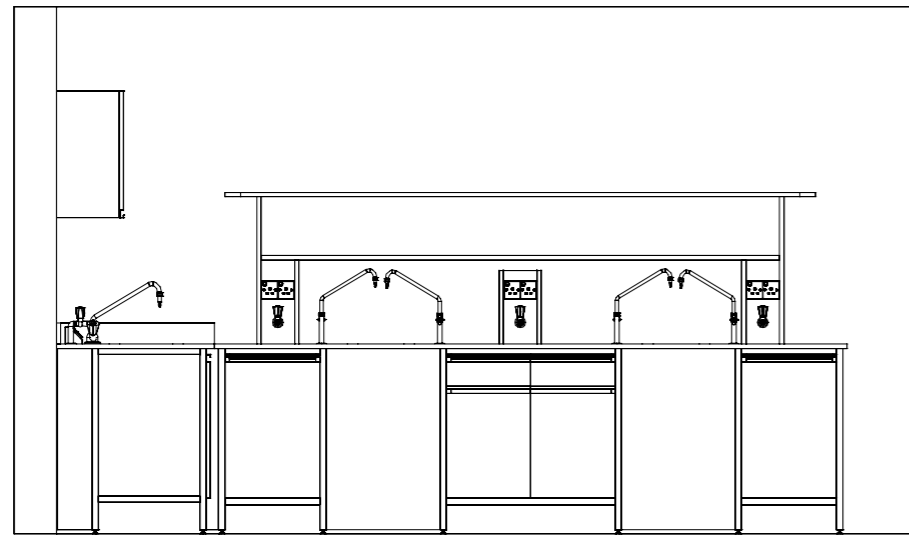
A combination of Wall Bench and Island Bench. One side is close to the wall and is accessible from all three sides. Services can be brought out from wall, floor or from the ceiling.





Prima Series

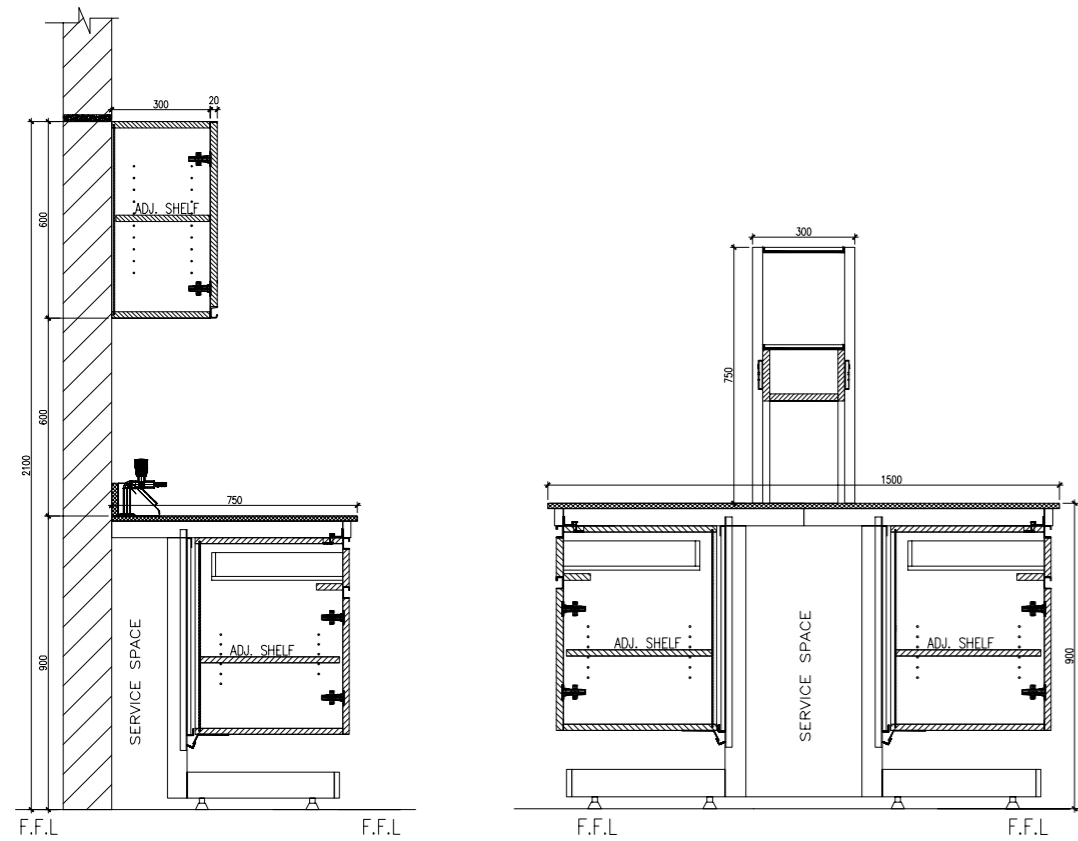
The worktops are installed on under-bench cabinets or panels. The cabinets are constructed with an integrated plinth of 100 mm to keep the cabinet bottom elevated from the floor. The cabinet rests on the floor without any additional support of frame work.



Vigor Series

Vigor Series - Designed to support heavier loads. Work tops are placed on metal frame works. The 'H' frames are made from mild steel square sections. Under bench cabinets rests on frames.





Flexi Series

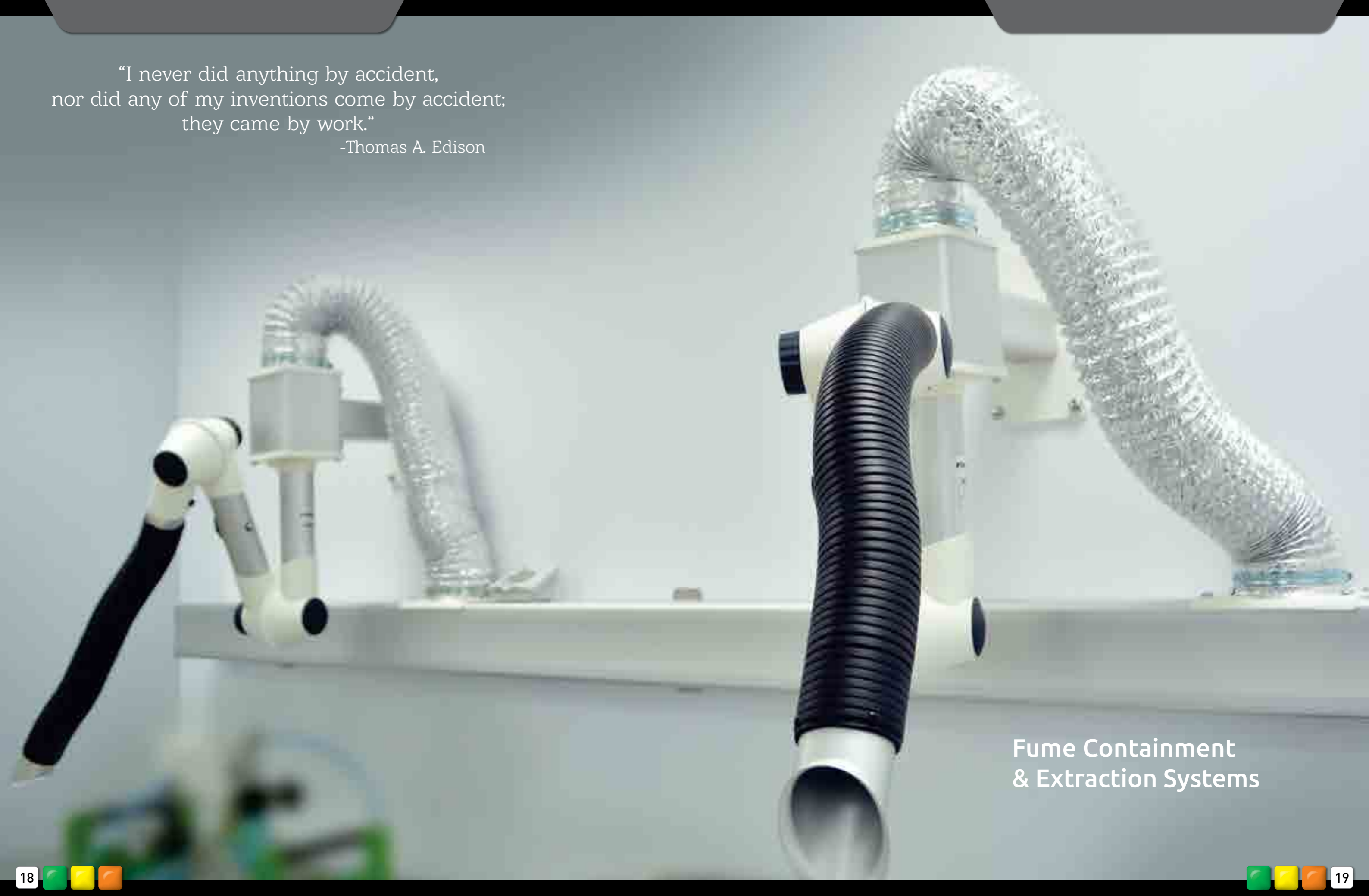
Worktops are mounted on heavy duty cantilever metal frame.

Suspended cabinets or mobile cabinets shall be used with this system. Thus, under-bench spaces can be organized by the user to adapt their needs easily without the help of a technician. Ease of access to the service area is a special advantage of this series.

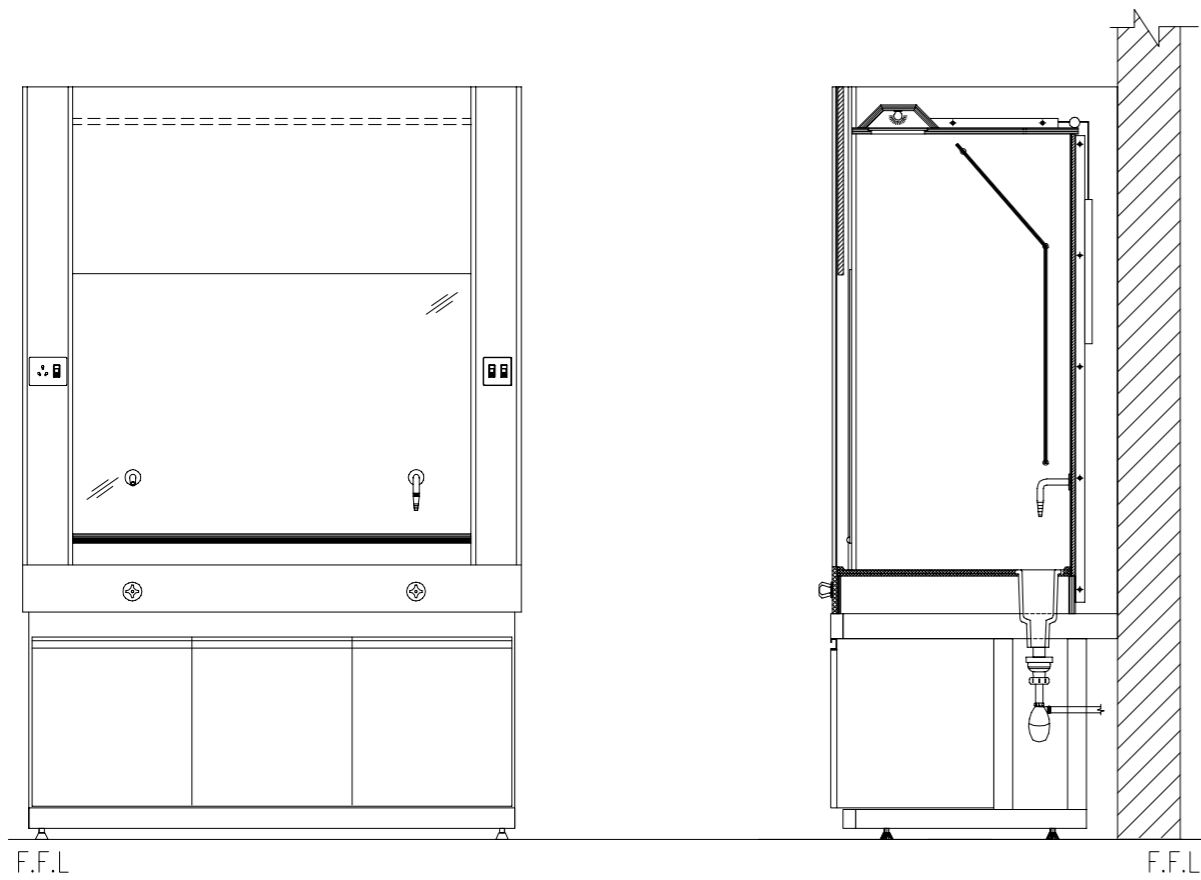


“I never did anything by accident,
nor did any of my inventions come by accident;
they came by work.”

-Thomas A. Edison



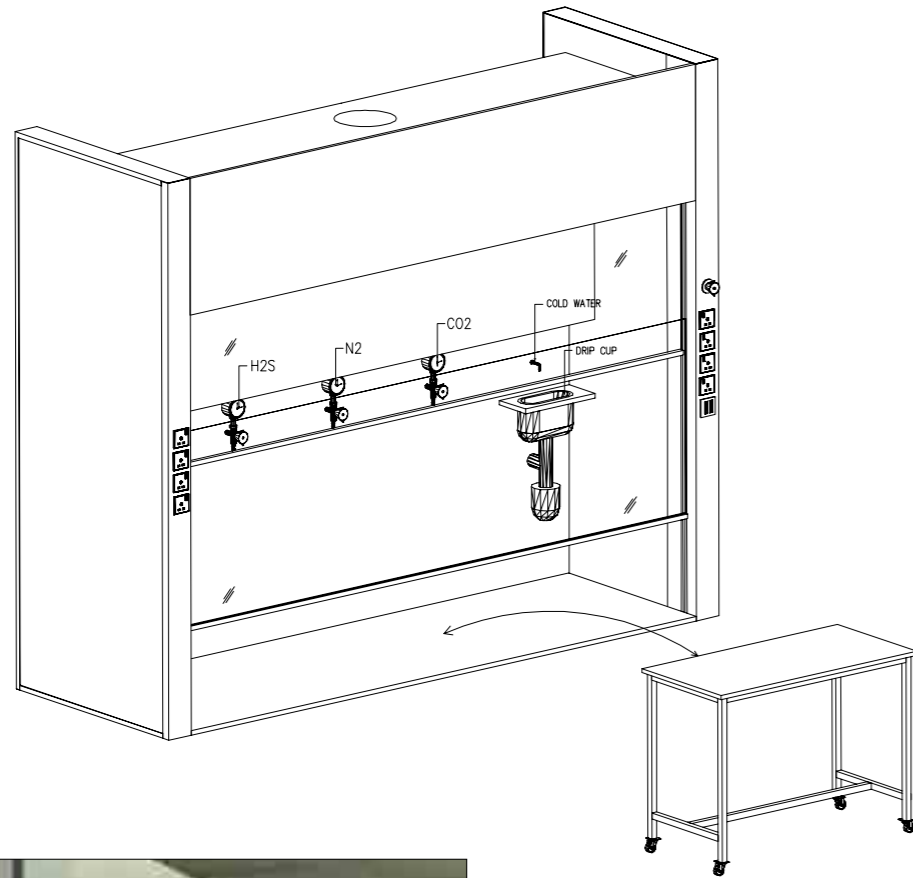
Fume Containment
& Extraction Systems



Standard Sizes

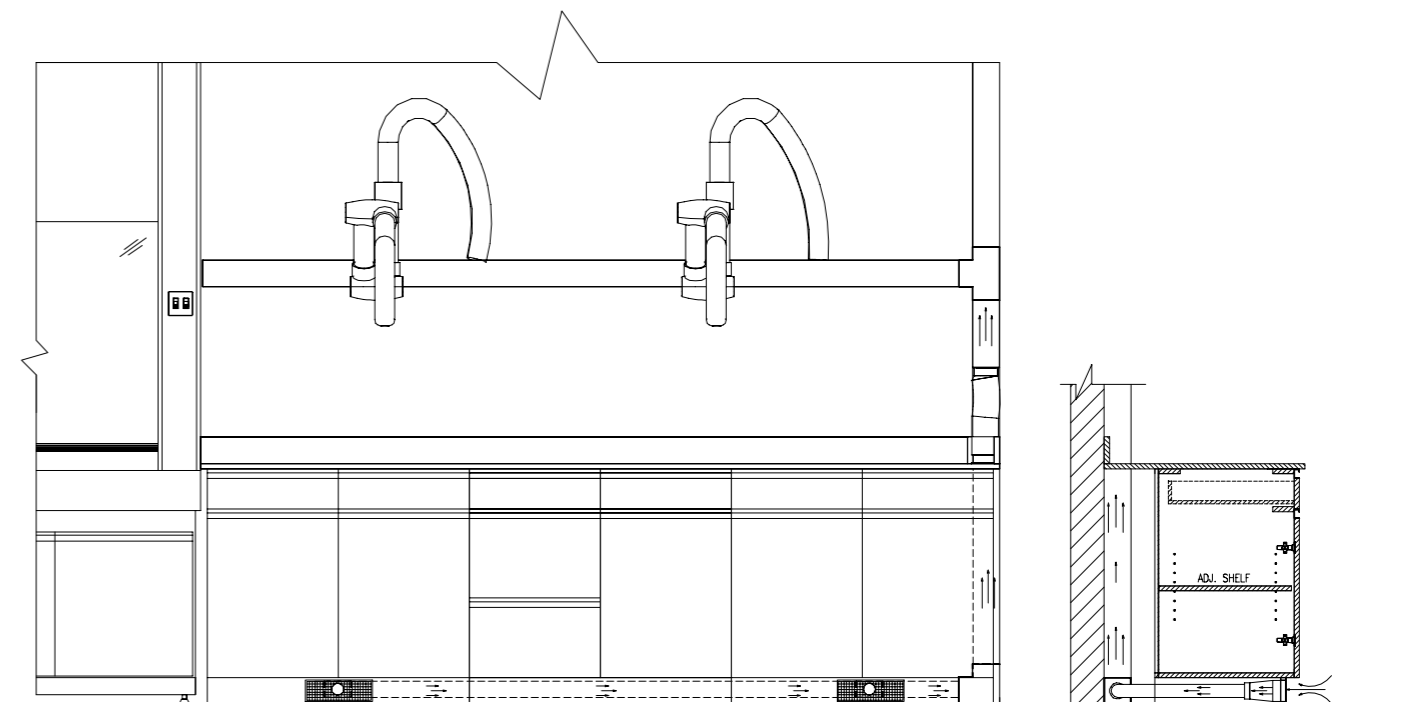
1200, 1500, 1800mm.
Custom sizes are also available.





Walk-in Fume Cupboards

The double sash assembled walk-in Fume Cupboards are designed to accommodate tall testing equipments to provide high headroom and safer workplace in hazardous environment



Canopy Hood



Ceiling mounted and wall mounted canopy hoods.

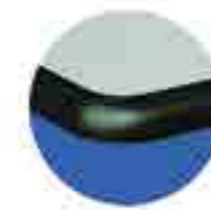


Suction arm



Suction Arms can be fixed on wall/ceiling/worktop with adjustable arms and suction cup. The flexible arm system shall use friction joints and ball bearing for necessary grip and easy movement.





Trespa



Epoxy



Plywood



Solid Timber



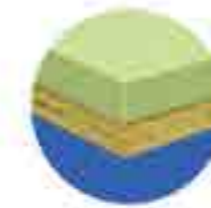
Ceramic



Acrylic



Granite



Polypropylene



Stainless Steel



Compact Laminate

Worktops

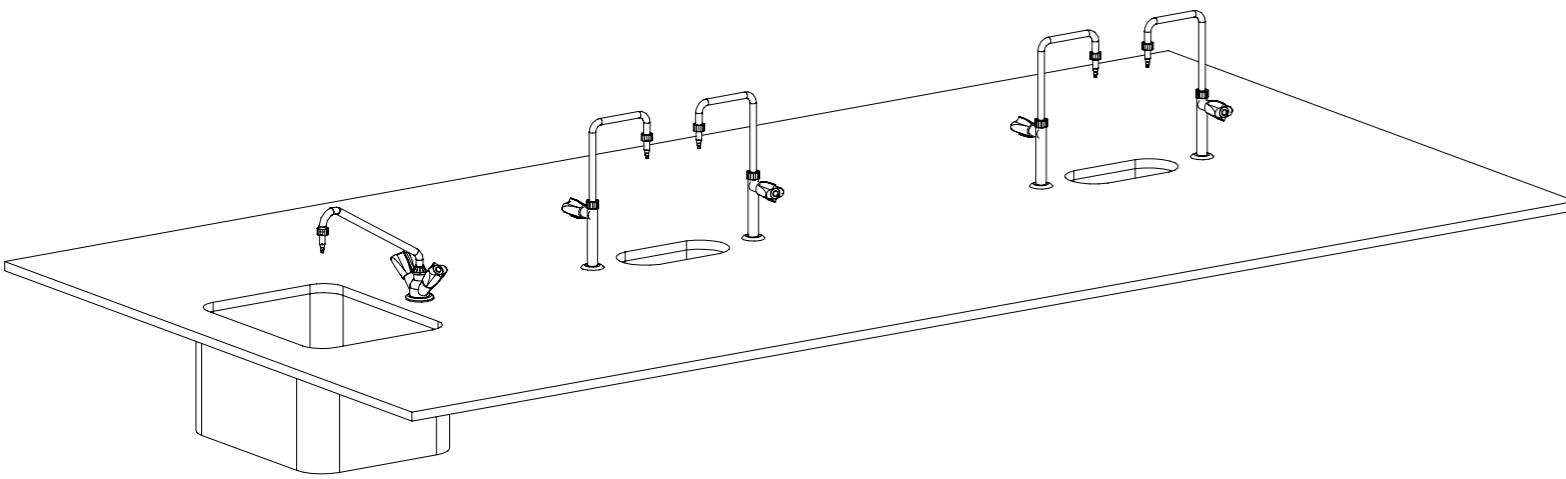
Worktops are the most used part of a laboratory furniture. Hence, it shall be selected carefully to suit the application, chemical resistance, thermal stability, impact resistance, durability, ease of sterilization, aesthetics and cost effectiveness.



Features

- Phenolic Resin (Trespa)
- Epoxy Resin (Durcon)
- Melamine laminated plywood
- Compact laminate
- Polypropylene
- Stainless steel
- Acrylic
- Ceramic worktops
- Granite
- Solid timber





Sinks and dripcups shall be selected to match the worktop and application

Sinks	Suitable worktops
Polypropylene sink	Polypropylene, Epoxy, Phenolic resin, Acrylic Melamine laminate, Compact laminate
Epoxy sink	Epoxy, Phenolic resin
Stainless steel sink	Stainless steel, Melamine laminate
Ceramic sink	Ceramic worktops





The service fittings are essential parts of workbenches to access the various utilities required in the laboratory.

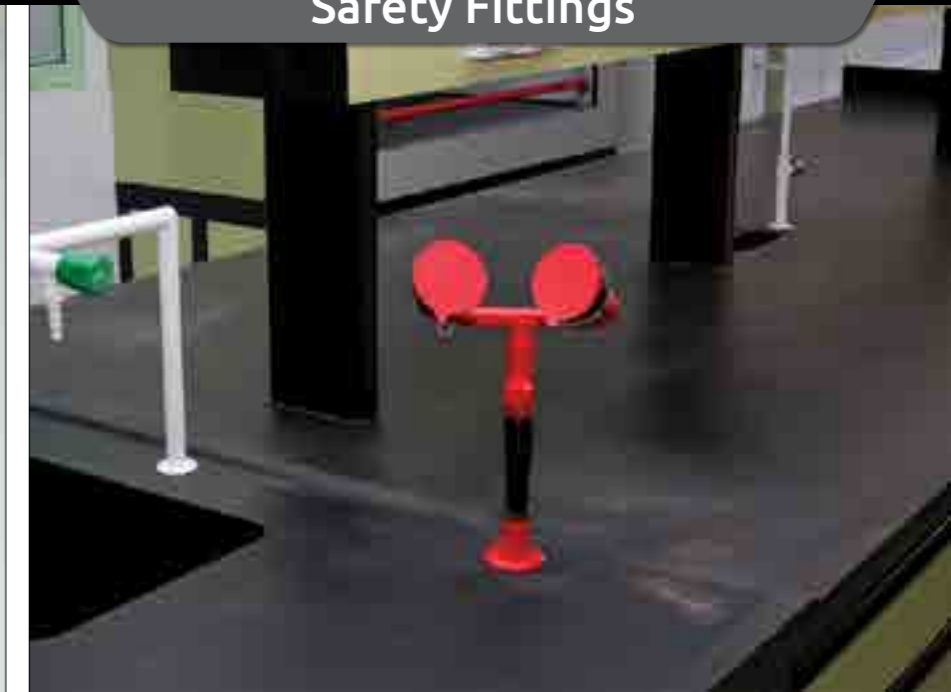
- Cold water
- Hot / Cold / DM water
- Mixers
- Gases (H₂, O₂, N₂, He, etc.)
- Burning gases
- Vacuum
- Electricity

Service fittings are available in variants of stand-outs, drop down and wall mounted models.



People in laboratory are exposed to many occupational hazards and harmful substances. Conventional safety measures are taken in most of the places. In addition to that we offer safety fittings such as:

- Eye wash
- Emergency shower
- Safety station
- Pullout shower
- Gas leak detector
- Shut-out valve
- Sensor alarm, etc.





These tables are made with heavy structure to absorb vibrations. The Scale platforms are mounted on specially designed anti-vibration pads.

Accurate anti-vibration table provides the most stable surface for precision balances and sensitive instrument.



Tall storages provide larger storage space.

For effective utilization of the wall space above the benches, wall cabinets can be used.

The standard width of these cabinets are 45cm, 60cm, 90cm and 120cm. Storage cabinets are available as open (without doors), with panel doors or with glass infilt doors.

Wall cabinets are also available with sliding glass doors.





Gratnell Tray Units





A safe working environment is a primary concern in all workplaces. Laboratory staff routinely handles a variety of dangerous and health threatening substances.

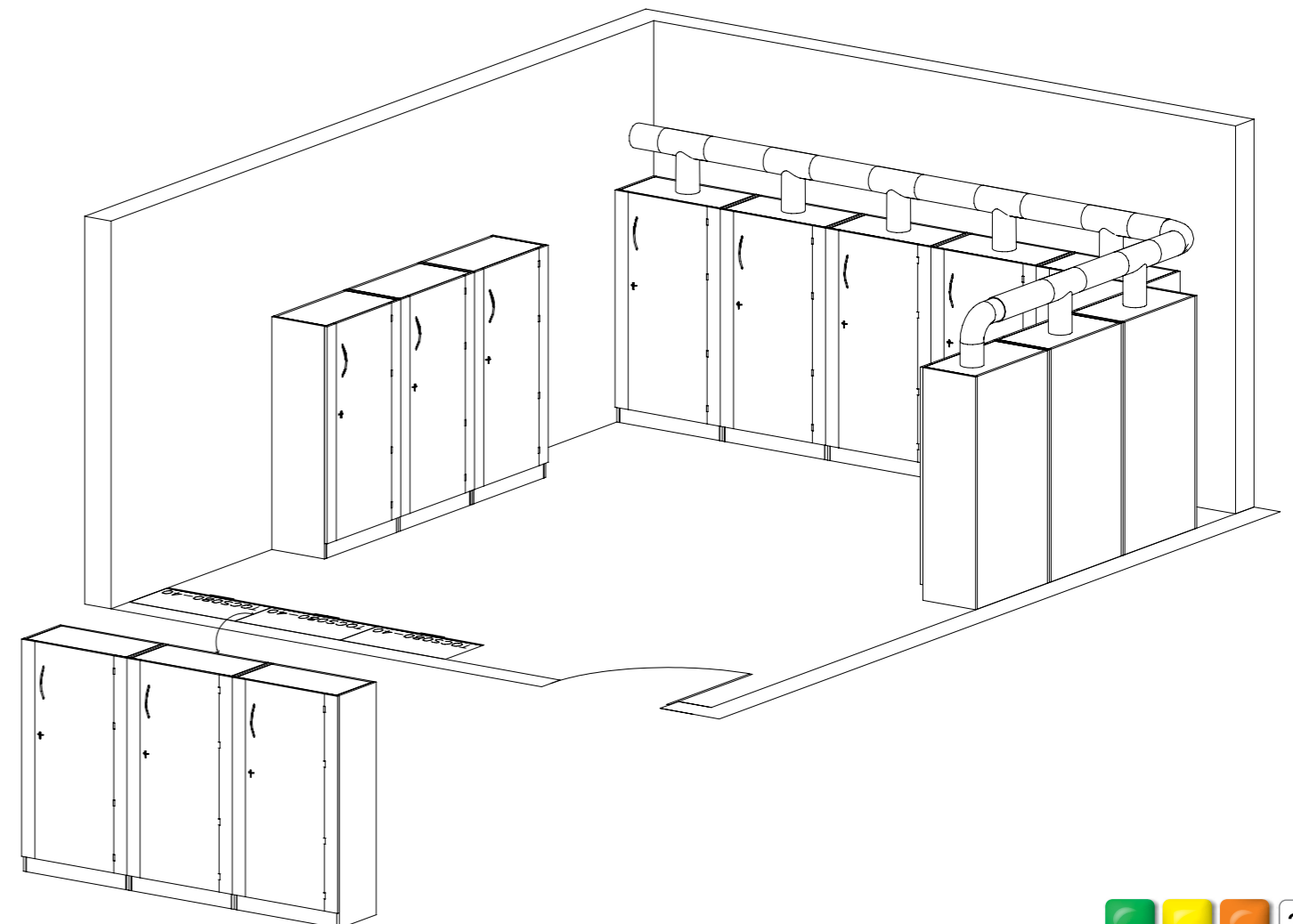
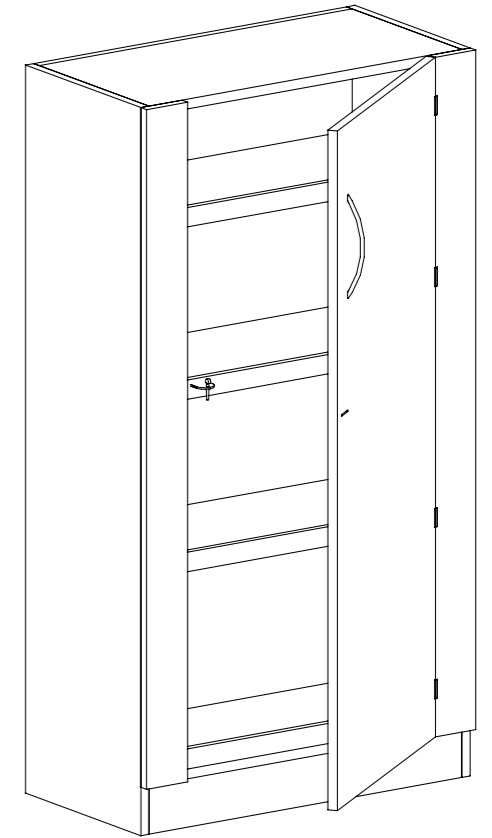
Hazardous materials must be stored safely.

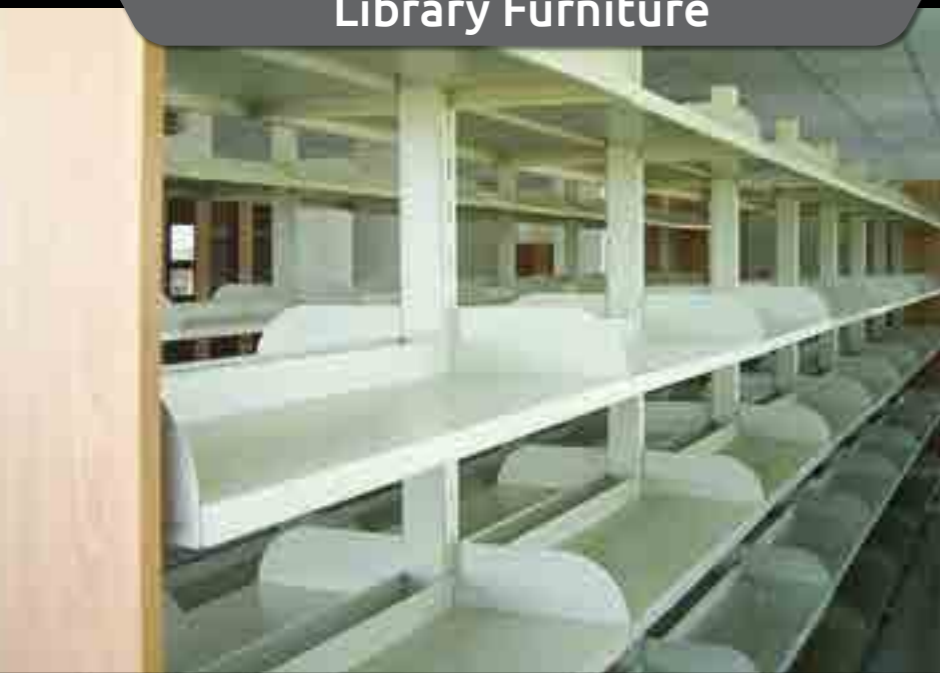
Chemstor cabinets are manufactured with no exposed metals parts. Units are constructed out of acid-resistant polypropylene. All joints are thermally welded by a special process without using metal fasteners.



Chemstor

Chemstor chemical storage cabinets can be connected to an extraction system for continuous extraction of volatile gases. This is to make sure that the laboratory air is safe to breathe and environment friendly.





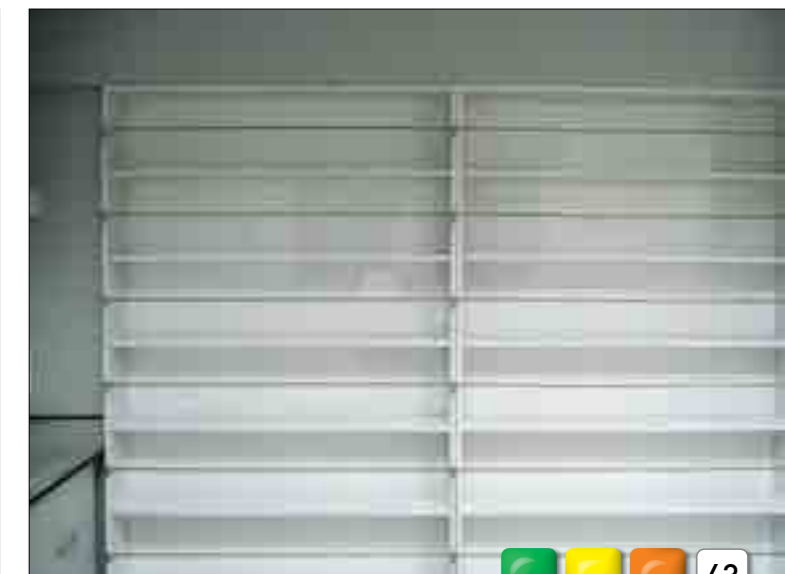
Full depth pullout cabinet



Tasting Booth

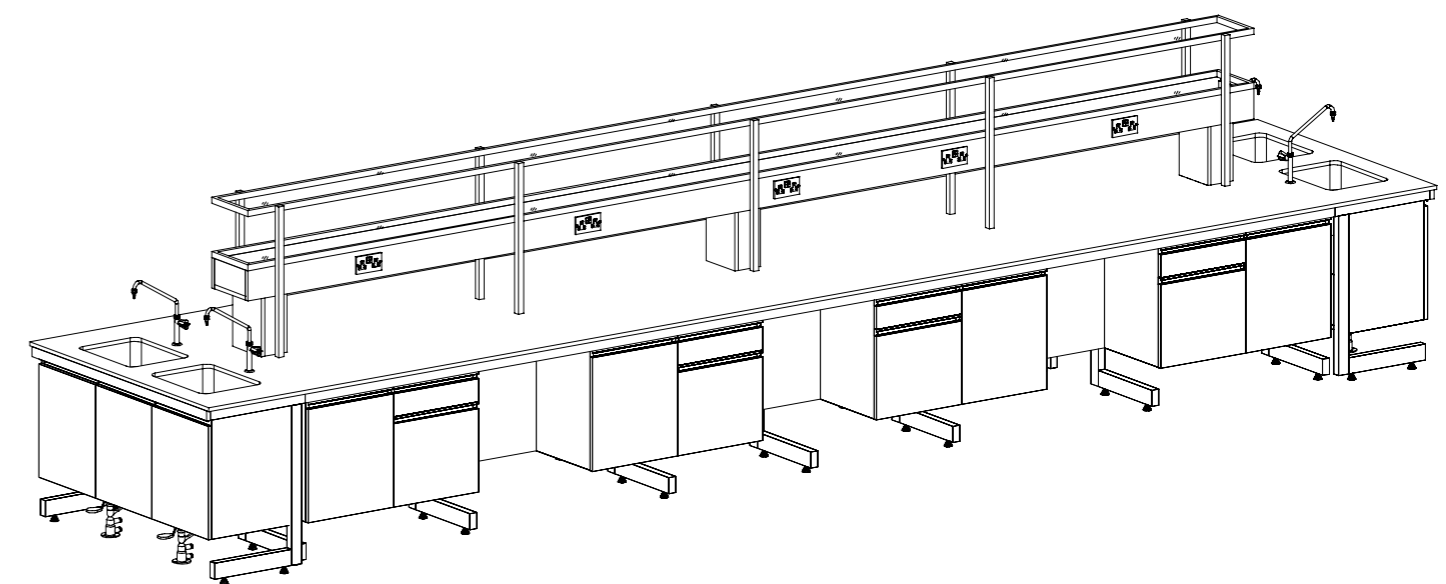


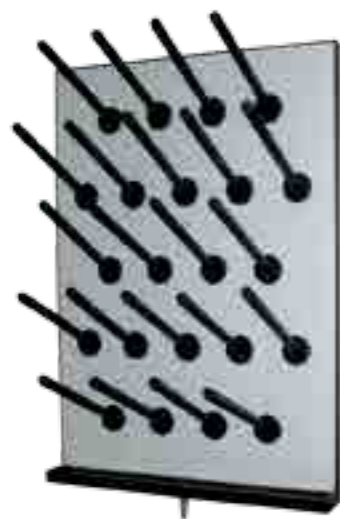
Beverages Rack





Science Lab
Mobile Bench





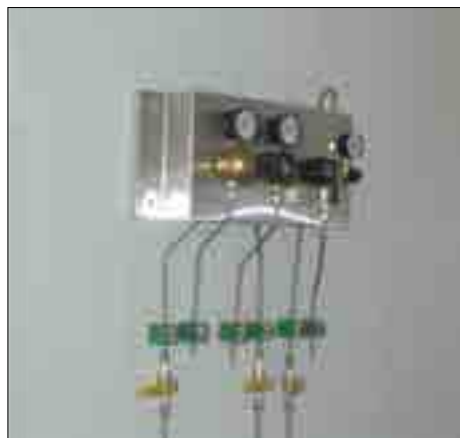
Seating

Laboratory stools & Chair provide a comfortable solution for your seating requirement adjustable height options, with or without back support.



Trolleys





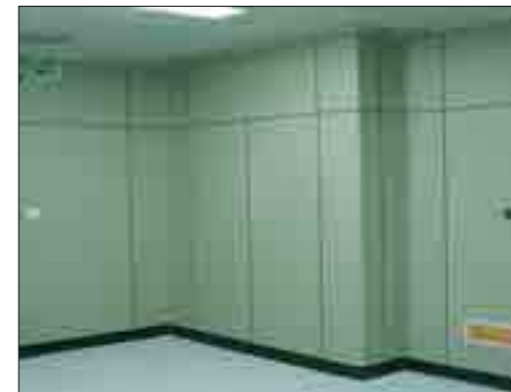
Complete Gas-line system including gas banks, cylinder cabinets, manifolds, pipelines, filters, regulators, valves etc..





planning
designing
execution





Pass-Through Box



Scrub Station



Containment Booth

Changing Room



Cabinet for Disposables



Interior Paneling

For operation theater and clean rooms

- Clean, Fast and safe.
- Bacteria resistant
- Resistant to disinfectants and cleaning agents
- Modular Construction



Mobile Lab

For Water / Environment monitoring, Forensics, material testing, Health Clinics, Calibration and other field services.

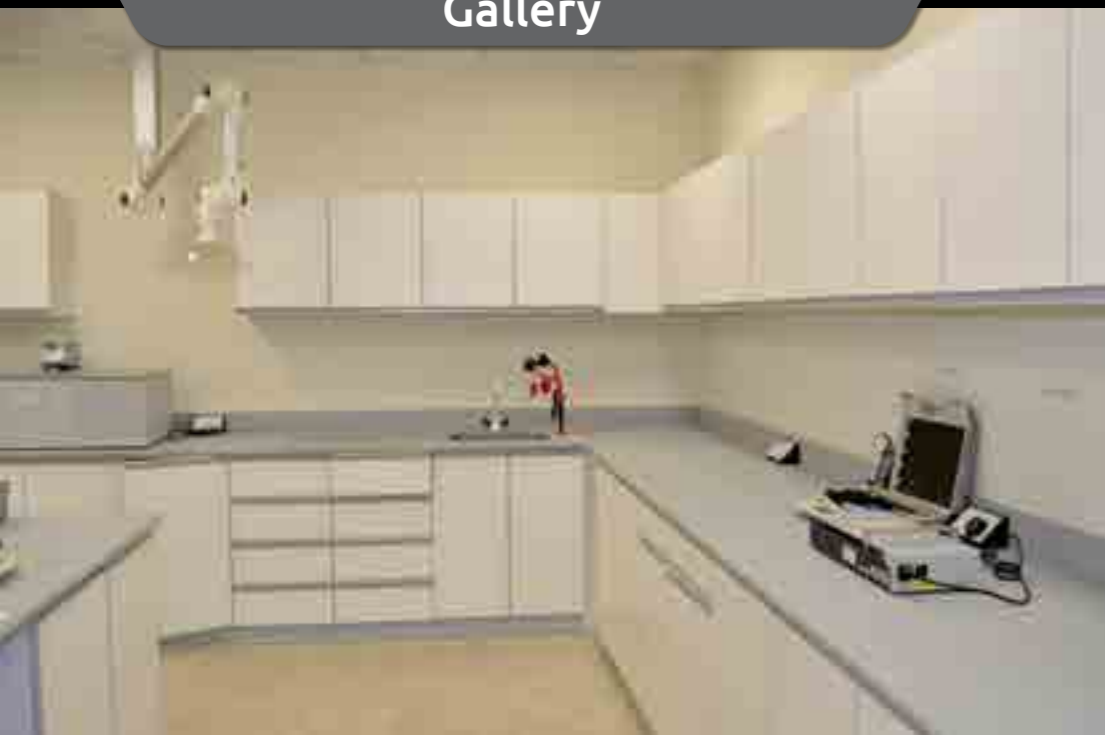


- Equipped with:
- Built In Laboratory Benches
 - Storage Facilities
 - Fume Extraction Systems
 - Safety & Utility Fittings
 - Refrigerator
 - Office
 - Airconditioning Systems



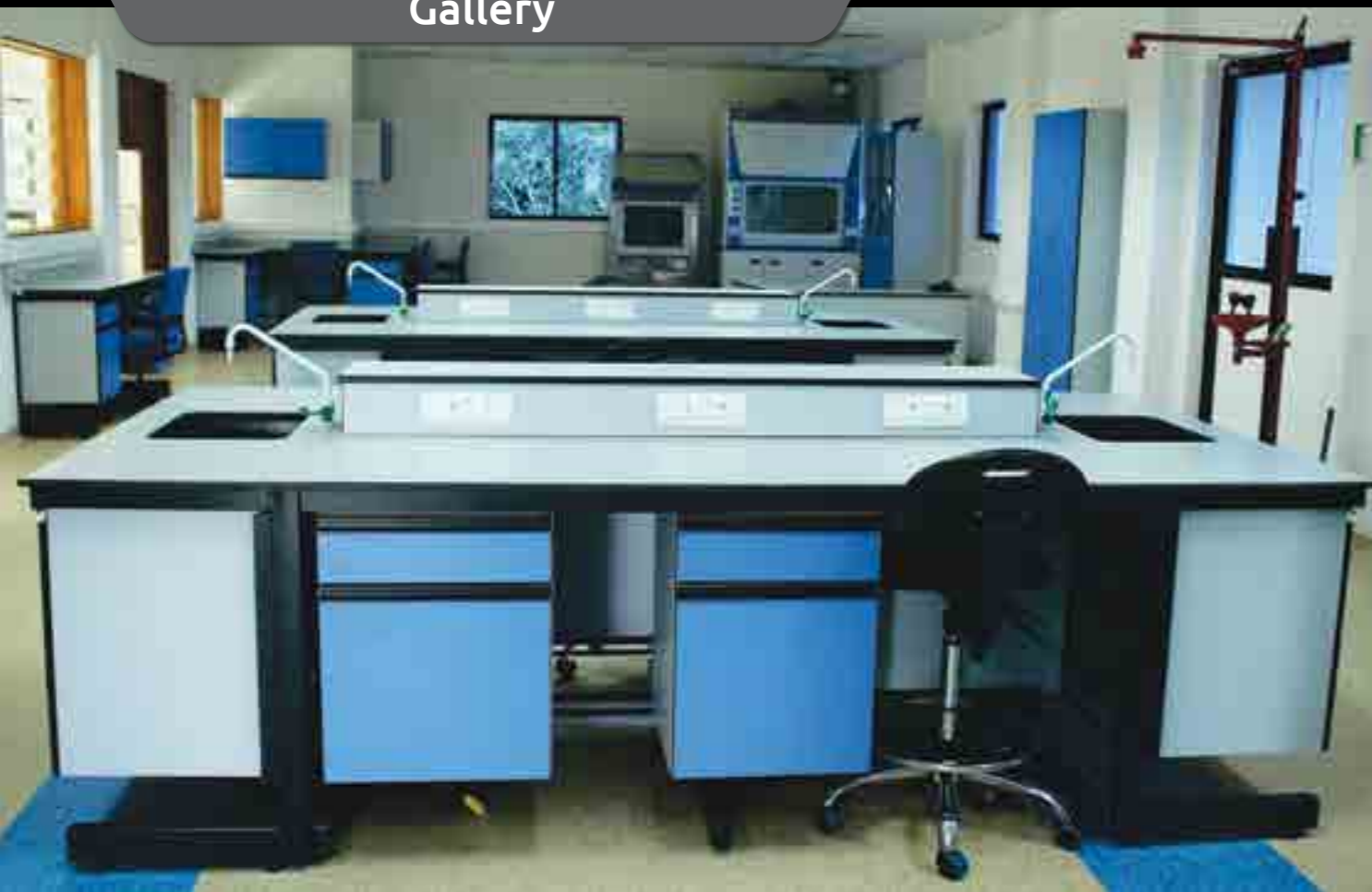


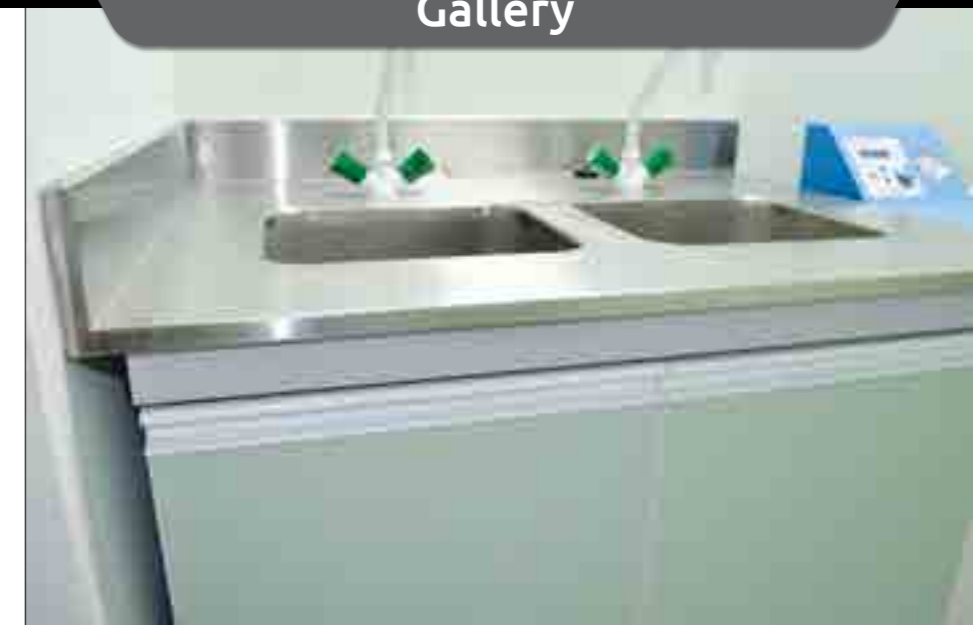














Our diversified expertise provide complete solution to our clients.

Our services also include supply and installation of

- Laboratory gas systems
- Laminar flows and microbiology safety cabinets
- Audio booths & acoustic paneling
- X-Ray room cladding
- Laboratory flooring
- Nurse stations
- Control room stations
- Vanity units
- Kitchenettes & wardrobes
- Interior decoration
- Toilet Cubicles

Our Technology Partners



Please note that illustration and photographs shown in this catalogue are as per our standard manufacturing specification. As a result of our continuing research and development, we may decide to alter the standard specification without prior notice. We shall provide up-to date specifications of any of these products on request.